

Tapered High Efficiency Takeoff



Technical Data

- GSI HETOs are designed and tested to surpass SMACNA Class 3 Leakage Standards.*
- Pre-sealed with gasket made of EPDM rubber and proprietary co-polymer
- Zero VOCs
- Galvanized Steel (ASTM A653 and A924)
- Standard product is supplied in 26 GA, G-60 coating (ASTM A653 and ASTM A90)
- Available in Specialty Metals:
 - G-90 Galvanized Steel
 - Aluminum (ASTM B209 Alloy 3003 Temper H14)
 - 304 Stainless Steel (ASTM A480 2B Finish)
- Pressure Rating: Designed per SMACNA Third Edition 2005 Section 4.8 Figure 4-6 Branch Connections
- Dimensional Tolerance: $\pm 1/4"$

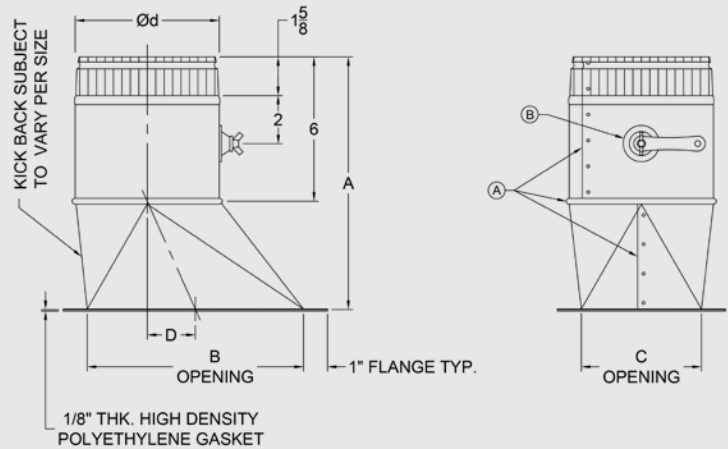
* Test performed on standard fittings without dampers



Product Availability

Size (Ød)	Gauge Availability		Quantity	Dimension			
	26 Ga.	24 Ga.		A	B	C	D
4"	Yes	-	8	10 1/2"	7"	4"	1 1/2"
5"	Yes	Yes	8	10 1/2"	9"	5"	2 1/2"
6"	Yes	Yes	12	10 1/2"	9"	5"	2"
7"	Yes	Yes	8	10 1/2"	11"	5"	2 1/2"
8"	Yes	Yes	8	11 1/2"	12"	6"	2 1/2"
9"	Yes	Yes	6	11 1/2"	13"	7"	2 1/2"
10"	Yes	Yes	6	11 1/2"	14"	8"	2 1/2"
12"	Yes	Yes	4	11 1/2"	16"	10"	3"
14"	Yes	Yes	2	12"	18"	12"	3"
16"	Yes	Yes	1	13"	20"	14"	3"
18"	Yes	Yes	1	13"	22"	16"	3"
20"	Yes	Yes	1	13"	24"	18"	3"

Dampened fittings are available with 2" Stand-Off. See Damper Hardware options on pages 27-30.



A. HETOs now come standard with sealed joints! The riveted seam on the collar and boot, as well as the co-latch seam between the collar and boot are sealed with the GreenSeam integral gasket. Unsealed fittings are available upon request.

B. Non-dampened HETOs are supplied with a 3/8" knock-out. Dampened HETOs are supplied with 24GA. damper blades and GSI's proprietary low-leakage hardware. See Page 27.

Part Number Schematic

Example: **HTS1510GA26**D38** = Tapered HETO for 10" Pipe in 26Ga. Galvanized Steel, with a Solid Rod Damper and 1 1/2" Stand-Off

HT	S2	10	GA	26	D	C
Tapered High Efficiency Take-Off	Stand-Off S2 - 2" (Opt. on Dampers Only)	Tapered HETO Diameter (Ød)	Material GA-Galvanized (Std.) AL - Aluminum S4 - 304 S.S	Gauge GA - 28, 26, 24 AL - 32 S4 - 26	D Damper (Opt.)	Windgate hardware 38 Rossi hardware (Opt. on Dampers Only) See Damper Hardware options on pages 27-30

** Add 90 for G90 Galvanized Coating
Items in green denote other available features
Check with your sales representative for availability of any size, gauge, or specialty metal item not shown here.