

45 Degree Adjustable Elbow



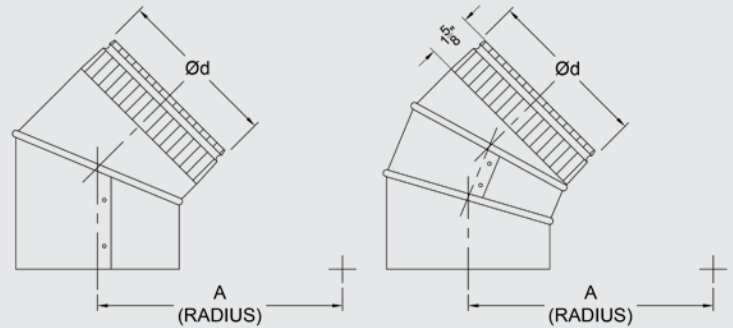
Technical Data

- Galvanized Steel (ASTM A653 and A924)
- Standard product is supplied in 26 GA, G-60 coating (ASTM A653 and ASTM A90)
- Available in Specialty Metals:
 - G-90 Galvanized Steel
 - Aluminum (ASTM B209 Alloy 3003 Temper H14)
 - 304 Stainless Steel (ASTM A480 2B Finish)
- Pressure Rating: -1" WG to +2" WG
- Dimensional Tolerance: $\pm 1/4"$

Product Availability

	Size (Ød)	Gauge Availability		Quantity		Dimension
		26 Ga.	24 Ga.	Carton	Skid	A
3 Piece Elbows	4"	Yes	Yes	24	384	6 $\frac{1}{8}$ "
	5"	Yes	Yes	24	384	7 $\frac{1}{8}$ "
	6"	Yes	Yes	24	384	8 $\frac{1}{8}$ "
	7"	Yes	Yes	24	288	10 $\frac{1}{2}$ "
	8"	Yes	Yes	24	288	12"
2 Piece Elbows	9"	Yes	Yes	24	288	9"
	10"	Yes	Yes	24	192	10"
	12"	Yes	Yes	24	48	12"
	14"	Yes	Yes	16	48	14"
	16"	Yes	Yes	16	40	16"
	18"	Yes	Yes	8	24	17 $\frac{1}{8}$ "
	20"	Yes	Yes	8	24	20"
	22"	‡	‡	8	24	22"
	24"	‡	‡	8	24	24"

‡ Consult factory for availability.



Part Number Schematic

Example: **AEC845GA26**** = 45° Adjustable Elbow for 8" Pipe in 26Ga. Galvanized Steel with Both Ends Crimped

AE Adjustable Elbow	C Crimp Both Ends (Opt. Special Order)	8 Elbow Diameter (Ød)	45 45° Elbow	GA Material GA-Galvanized (Std.) AL - Aluminum S4 - 304 S.S	26 Gauge GA - 28, 26, 24 AL - 32 S4 - 26
-------------------------------	---	---------------------------------	------------------------	--	---

** Add 90 for G90 Galvanized Coating
 Items in green denote other available features
 Check with your sales representative for availability of any size, gauge, or specialty metal item not shown here.