

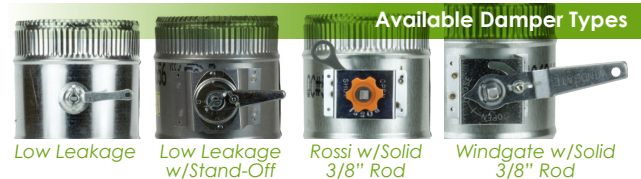
8" Long Coupler



Technical Data

- GSI Couplers are designed and tested to surpass SMACNA Class 3 Leakage Standards.*
- Pre-sealed with gasket made of EPDM rubber and proprietary co-polymer
- Zero VOCs
- Galvanized Steel (ASTM A653 and A924)
- Standard product is supplied in 26 GA, G-60 coating (ASTM A653 and ASTM A90)
- Available in Specialty Metals:
 - G-90 Galvanized Steel
 - Aluminum (ASTM B209 Alloy 3003 Temper H14)
 - 304 Stainless Steel (ASTM A480 2B Finish)
- Pressure Rating: Designed per SMACNA Third Edition 2005 Section 4.8 Figure 4-6 Branch Connections
- Dimensional Tolerance: $\pm 1/4"$

* Test performed on standard fittings without dampers

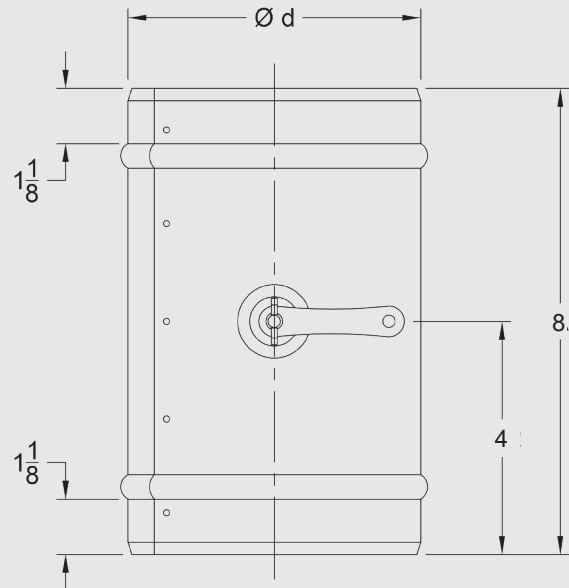


Product Availability

Size (Ød)	Gauge Availability		Quantity	
	26 Ga.	24 Ga.	Carton	Skid
6"	Yes	Yes	12	144
7"	Yes	Yes	12	144
8"	Yes	Yes	12	144
9"	Yes	Yes	12	144
10"	Yes	Yes	12	144
12"	Yes	Yes	6	72
14"	Yes	Yes	6	72

Dampened fittings are available with 2" Stand-Off. See Damper Hardware options on pages 27-30.

- A. Coupler now come standard with sealed joints! The riveted seam is sealed with the GreenSeam integral gasket. Unsealed fittings are available upon request.
- B. Non-dampened Coupler are supplied with a 3/8" knock-out. Dampened Coupler are supplied with 24GA. damper blades and GSI's proprietary low-leakage hardware. See Page 27.



Part Number Schematic									
Example: 8COPR10GA26**D = 8" Long Coupler for 10" pipe in 26Ga. Galvanized Steel with a Damper.									
8 Coupler Length	CO Coupler	S2 Stand-Off S2 - 2" (Opt. on Dampers Only)	P Plain End (Crimping Unavailable)	R Riveted	10 Coupler Diameter (Ød)	GA Material GA-Galvanized (Std.) AL - Aluminum S4 - 304 S.S	26 Gauge GA - 28, 26, 24 AL - 32 S4 - 26	D Damper (Opt.)	C Windgate hardware 38 Rossi hardware (Opt. on Dampers Only) See Damper Hardware options on pages 27-30

** Add 90 for G90 Galvanized Coating
Items in green denote other available features
Check with your sales representative for availability of any size, gauge, or specialty metal item not shown here.