

6" Long Tabbed Start Collar



Technical Data

- GSI Collars are designed and tested to surpass SMACNA Class 3 Leakage Standards.*
- Pre-sealed with gasket made of EPDM rubber and proprietary co-polymer
- Zero VOCs
- Galvanized Steel (ASTM A653 and A924)
- Standard product is supplied in 26 GA, G-60 coating (ASTM A653 and ASTM A90)
- Available in Specialty Metals:
 - G-90 Galvanized Steel
 - Aluminum (ASTM B209 Alloy 3003 Temper H14)
 - 304 Stainless Steel (ASTM A480 2B Finish)
- Pressure Rating: Designed per SMACNA Third Edition 2005 Section 4.8 Figure 4-6 Branch Connections
- Dimensional Tolerance: $\pm 1/4"$

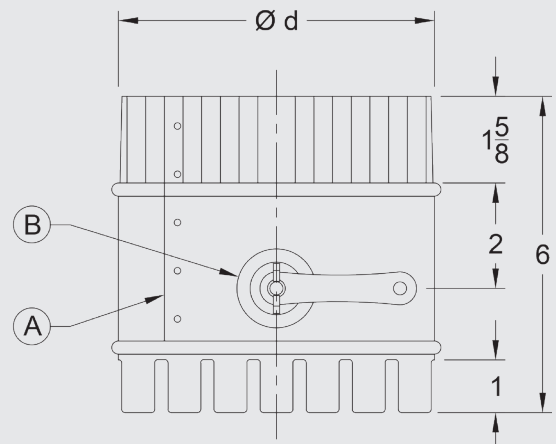
* Test performed on standard fittings without dampers



Product Availability

| Size (Ød) | Gauge Availability | | Quantity | |
|-----------|--------------------|--------|----------|------|
| | 26 Ga. | 24 Ga. | Carton | Skid |
| 4" | Yes | - | 30 | 360 |
| 5" | Yes | Yes | 30 | 360 |
| 6" | Yes | Yes | 20 | 240 |
| 7" | Yes | Yes | 20 | 240 |
| 8" | Yes | Yes | 20 | 240 |
| 9" | Yes | Yes | 20 | 240 |
| 10" | Yes | Yes | 20 | 240 |
| 12" | Yes | Yes | 10 | 120 |
| 14" | Yes | Yes | 10 | 120 |
| 16" | Yes | Yes | 5 | 60 |
| 18" | Yes | Yes | 5 | 60 |
| 20" | Yes | Yes | 5 | 60 |
| 22" | ‡ | ‡ | 5 | ‡ |
| 24" | ‡ | ‡ | 5 | ‡ |

‡ Consult factory for availability.
Dampened fittings are available with 2" Stand-Off.
See Damper Hardware options on pages 27-30.



- A. Collars now come standard with sealed joints! The riveted seam is sealed with the GreenSeam integral gasket. Unsealed fittings are available upon request.
- B. Non-dampened Collars are supplied with a 3/8" knock-out. Dampened Collars are supplied with 24GA. damper blades and GSI's proprietary low-leakage hardware. See Page 27.

Part Number Schematic

Example: **6SCS15CR10GA26**D38** = 6" Long Tabbed Collar for 10" Pipe in 26Ga. Galv. Steel, with a Solid Rod Damper and 1½" Stand-Off

| 6 | SC | S2 | C | R | 10 | GA | 26 | D | C |
|---------------|---------------------|--|------------------------|---------|----------------------|--|---|---------------|---|
| Collar Length | Tabbed Start Collar | Stand-Off S2 - 2" (Opt. on Dampers Only) | End C - Crimped (Std.) | Riveted | Collar Diameter (Ød) | Material GA-Galvanized (Std.) AL - Aluminum S4 - 304 S.S | Gauge GA - 28, 26, 24 AL - 32 S4 - 26 | Damper (Opt.) | Windgate hardware 38 Rossi hardware (Opt. on Dampers Only) See Damper Hardware options on pages 27-30 |

** Add 90 for G90 Galvanized Coating
Items in green denote other available features
Check with your sales representative for availability of any size, gauge, or specialty metal item not shown here.